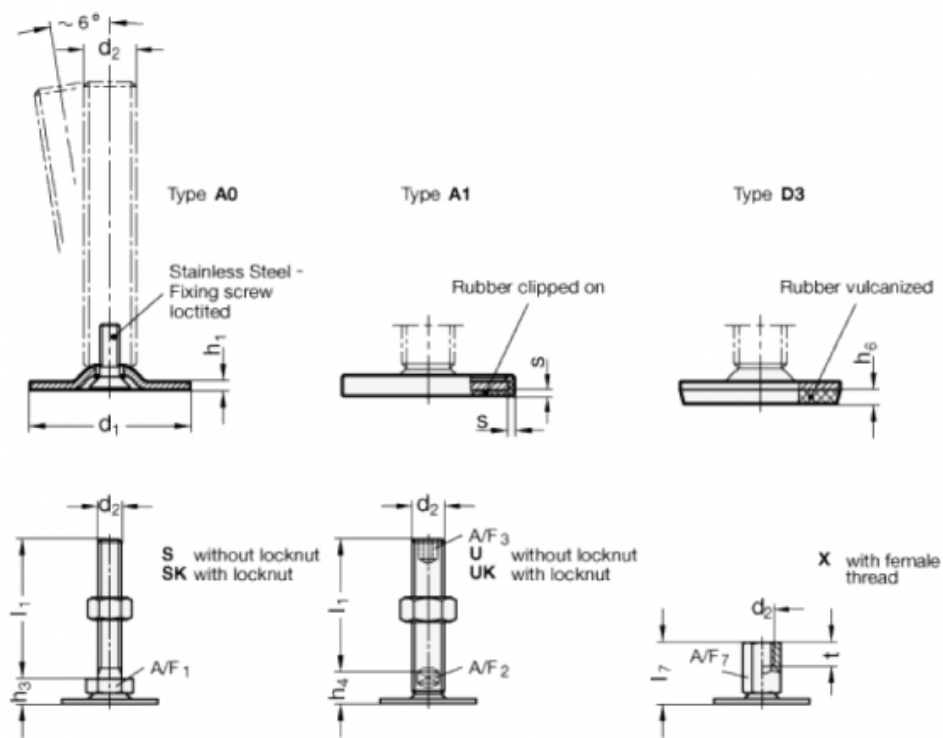


Data Sheet



Article number: 204040M1280A3SK
 Description: E+G levelling foot
 GN 40-40-M12-80-A3-SK
 Note: SK With nut, External hexagon at the bottom

Measures



- A/F1 = 17
- d1 = 40
- d2 = M12
- h1 = 2
- h3 = 11
- h6 = 3.5
- l1 = 80
- s =